
4 Parts and diagrams

- [Introduction](#)
- [Printer stand](#)
- [Stand HW SV kit](#)
- [Covers HP DesignJet T730 Printer](#)
- [Covers HP DesignJet T830 MFP](#)
- [Roll covers](#)
- [Right-hand assemblies](#)
- [Left-hand assemblies](#)
- [Carriage assembly](#)
- [Paper path \(front\)](#)
- [Paper path \(rear\)](#)
- [Spindle](#)
- [Sensor Kit](#)
- [Cable Kit](#)
- [Ink tubes \(RIDS\) and Ink Supply Station \(ISS\)](#)
- [Scanner Lid](#)
- [Scanner Bottom Mech](#)
- [Scanner Bottom-EE](#)
- [Scanner Back](#)
- [Miscellaneous parts](#)

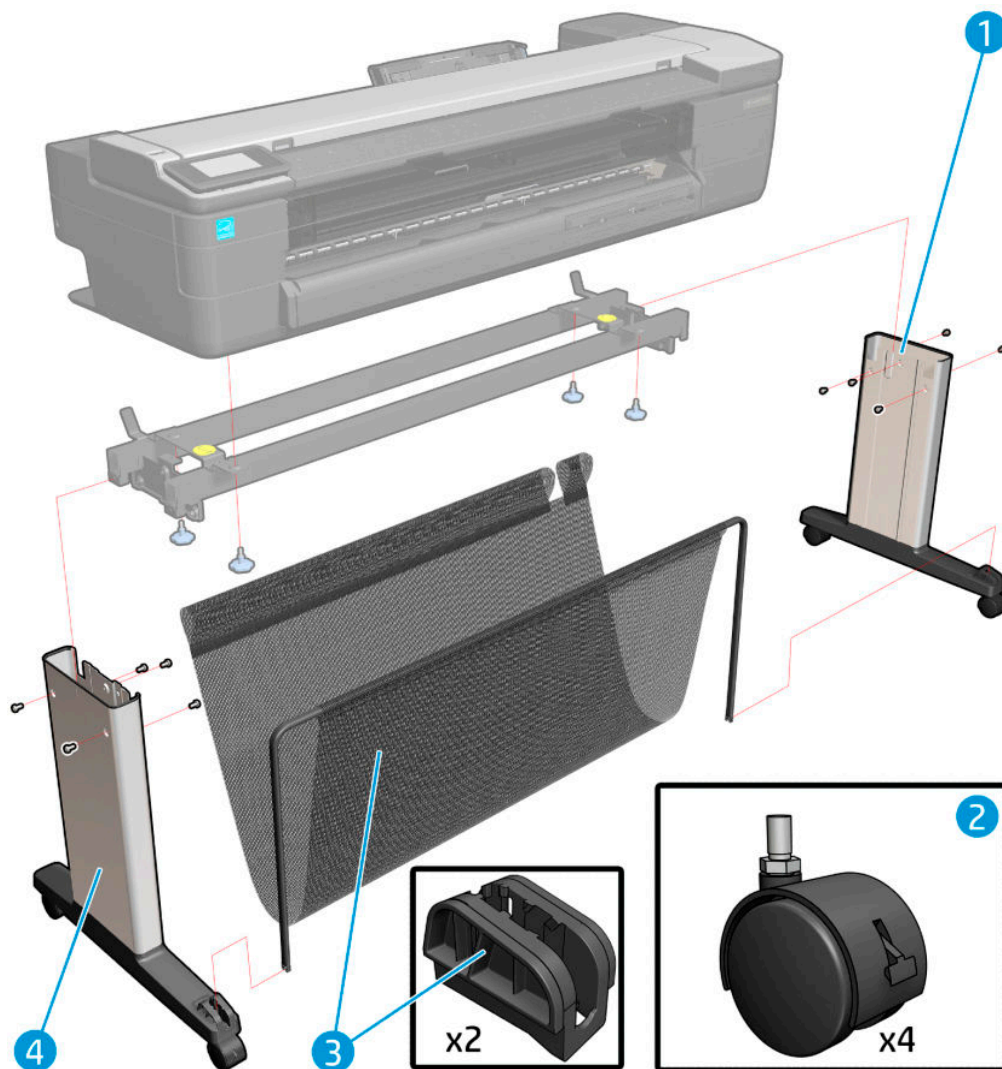
Introduction

- The list of parts in this chapter include the notation CSR A or CSR B for parts that can be replaced by the customer. All other parts must be replaced by an engineer. See [Customer Self Repair parts on page 256](#).
- For information on part replacement visit HP Customer Self Repair Services Media Library - Media Selection, ("**Printers and Multifunction** > **HP DesignJet Printers**"), at: <http://h20464.www2.hp.com/index.html>
- Part Numbers of SV kits are subject to change. Please double check in the HP Part Surfer for the latest version or elevate to the next support level for advice.
- For information on the preventive maintenance kits, see [Preventive maintenance kits on page 537](#).
- Unless otherwise indicated, service parts are compatible with all SKUs. If there is any limitation, it is indicated in the tables below as follows:
 - SFP: compatible with the HP DesignJet T730 Printer
 - MFP: compatible with the HP DesignJet T830 MFP

For further info:

Printer stand

| | HP part number | Part description | Removal and installation reference | Comments |
|---|----------------|--------------------------|------------------------------------|--|
| 1 | F9A30-67057 | Stand Right Leg Assembly | | CSR A |
| 2 | F9A30-67059 | Stand HW kit | | CSR A: Includes all screws, tools and 4 wheels to repair and mount the stand |
| 3 | F9A30-67058 | Stand Basket SV kit | | CSR A |
| 4 | F9A30-67056 | Stand Left Leg Assembly | | CSR A |

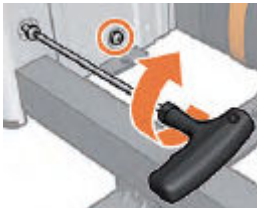


Stand HW SV kit

1. Handle M5x14mm. Qty: 4



2. Tool



3. Screws Qty: 10

4. Triangle positioner. Qty: 2

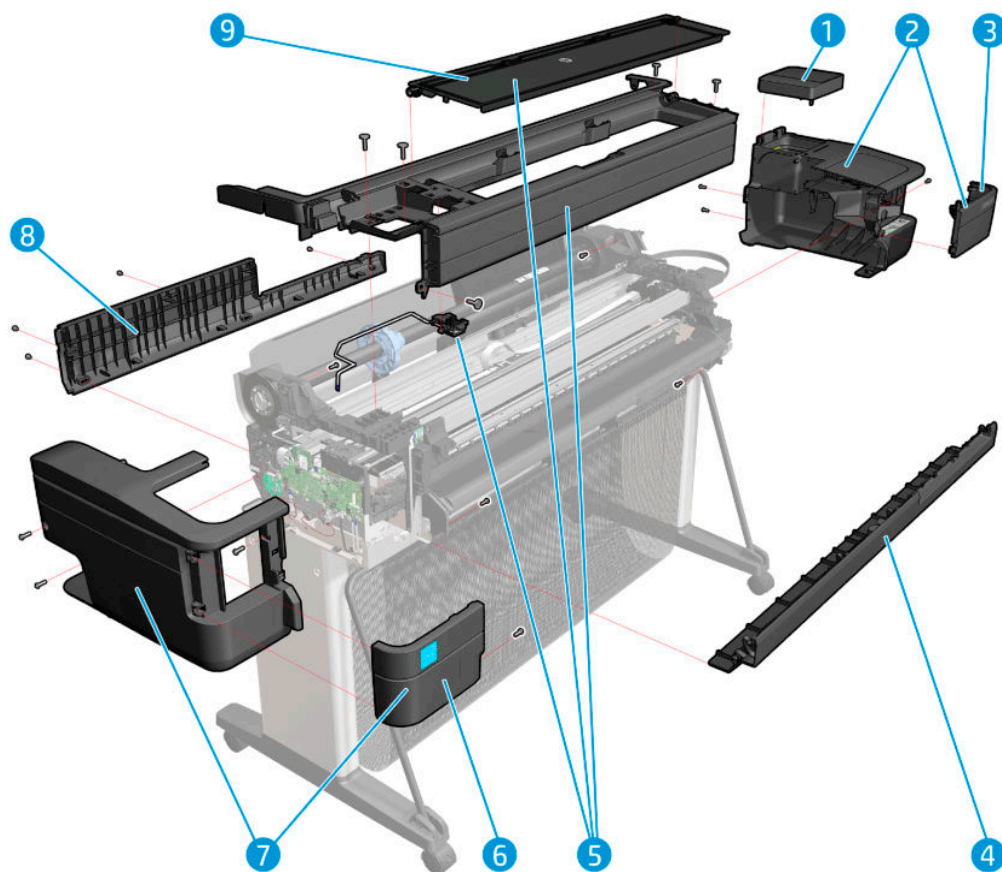


5. Wheels. Qty: 4



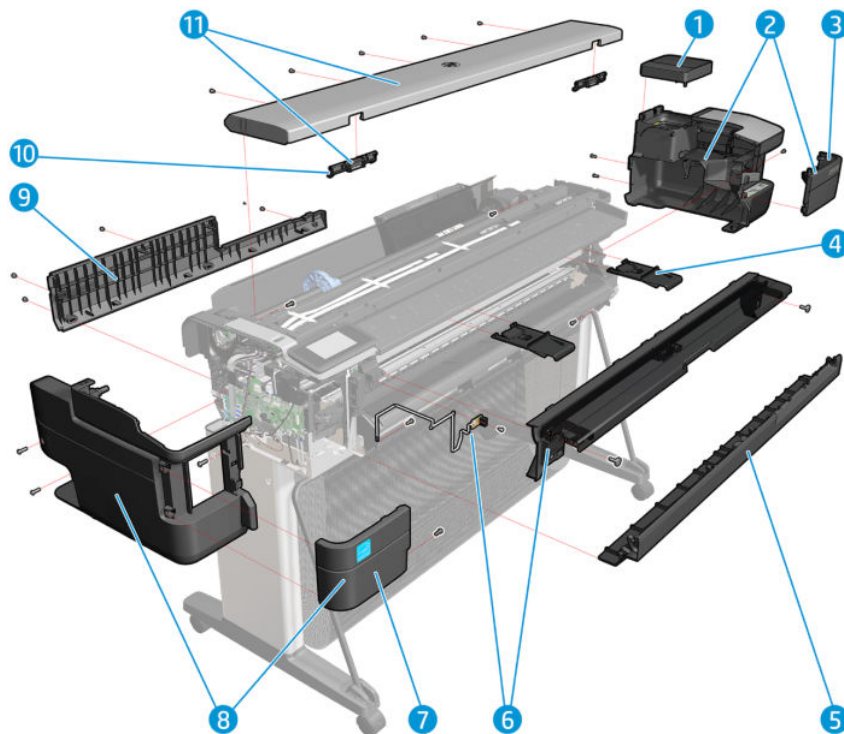
Covers HP DesignJet T730 Printer

| | HP part number | Part description | Removal and installation reference | Comments |
|---|----------------|-----------------------------|--|--------------------------------|
| 1 | F9A30-67014 | Ink door cover SV kit | Ink Door flier on page 584 | CSR A |
| 2 | F9A29-67004 | Right cover SFP SV kit | | |
| 3 | F9A30-67010 | Assembly PH Door SV kit | | CSR A |
| 4 | CQ894-67001 | 36 Front Cover SV | Front Cover on page 261 | CSR A |
| 5 | F9A29-67006 | Central covers SFP SV | Central Cover on page 284 | |
| 6 | F9A30-67006 | Assembly Cutter Door SV kit | Cutter Door F9A30-67006 on page 378 | CSR B: Need a flat screwdriver |
| 7 | F9A29-67005 | Left cover SFP SV kit | | |
| 8 | CQ893-67002 | 36 Back cover SV | Back Cover on page 275 | |
| 9 | F9A29-67007 | Top window SFP SV kit | Top window SFP F9A29-67007 on page 258 also known as Central Window | CSR A |



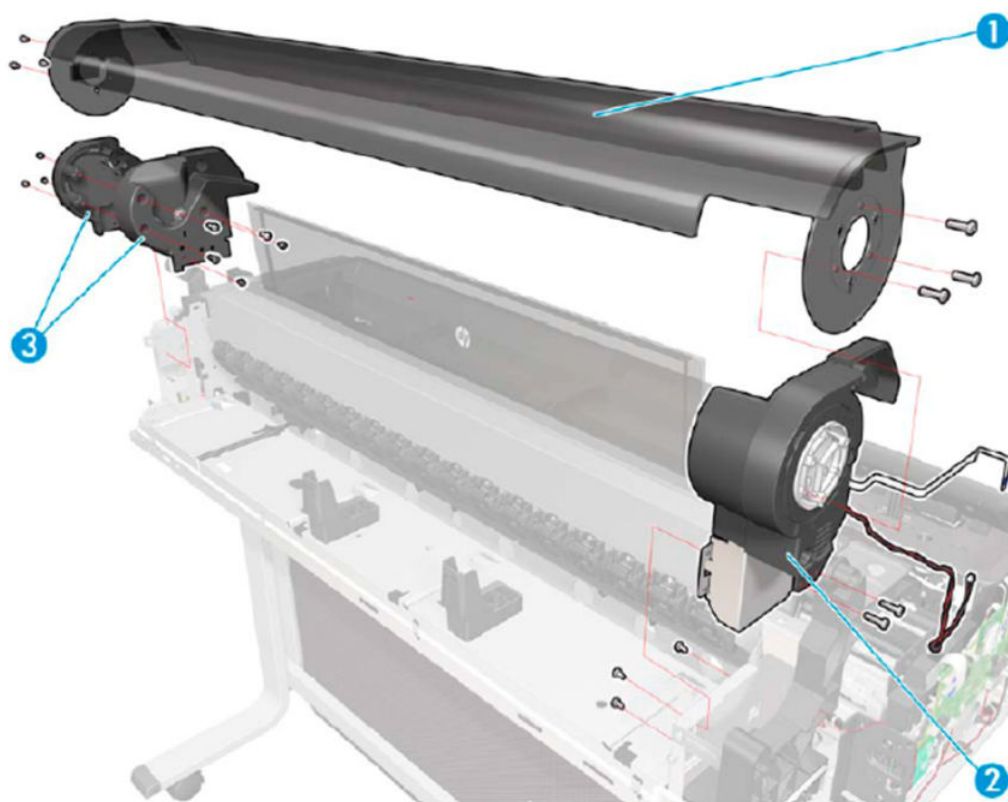
Covers HP DesignJet T830 MFP

| | HP part number | Part description | Removal and installation reference | Comments |
|----|----------------|-------------------------------|--|---|
| 1 | F9A30-67014 | Ink door cover SV kit | | CSR A see Ink Door flier on page 584 |
| 2 | F9A30-67011 | Right cover SFP SV kit | Right Cover MFP SV Kit F9A30-67011 on page 264 | |
| 3 | F9A30-67010 | Assembly PH Door SV kit | | CSR A |
| 4 | F9A30-67035 | Refeed preventers SV kit | Refeed Preventer on page 504 | CSR A |
| 5 | CQ894-67001 | 36 Front Cover SV | Front Cover on page 261 | CSR A see Front Cover flier on page 569 |
| 6 | F9A30-67013 | Front frame window MFP SV kit | | |
| 7 | F9A30-67006 | Assembly Cutter Door SV kit | Cutter Door F9A30-67006 on page 378 | CSR B: Need a flat screwdriver |
| 8 | F9A30-67012 | Left cover SFP SV kit | Left Cover MFP SV Kit F9A30-67012 on page 268 | |
| 9 | CQ893-67002 | 36 Back cover SV | Back Cover on page 275 | |
| 10 | F9A30-67016 | Top cover button latch MFP SV | Top window SFP F9A29-67007 on page 258 | Latches for scanner lid |
| 11 | F9A30-67015 | Central covers SFP SV | Central Cover on page 284 | Scanner top cover. The kit also contains F9A30-60224 Central top cover (behind the scanner) |



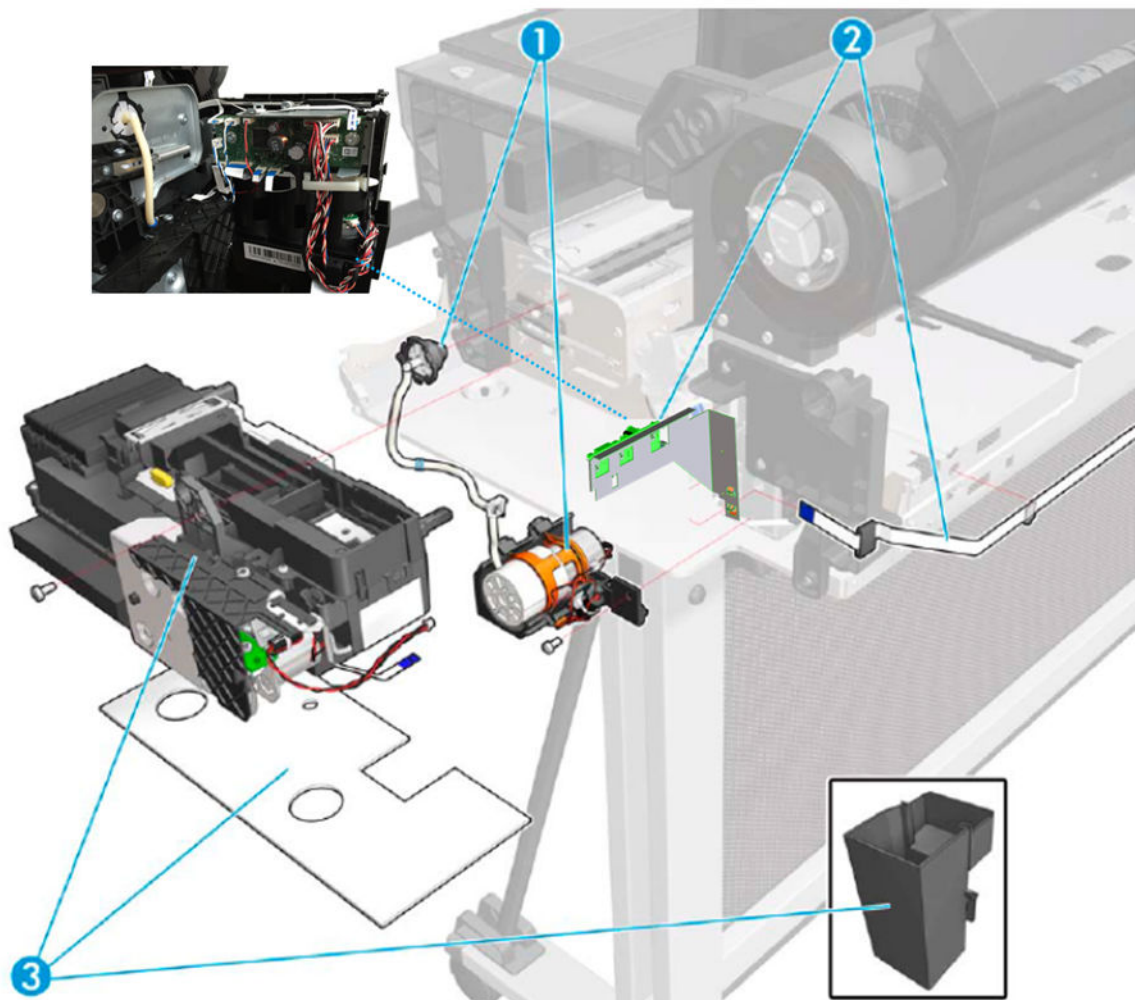
Roll covers

| | HP part number | Part description | Removal and installation reference | Comments |
|---|----------------|-------------------------------|--|----------|
| 1 | CQ893-67003 | Roll Cover (36) | Roll Cover on page 272 | |
| 2 | F9A30-67050 | Candela Left Roll Support SV | Left Roll Support on page 292 | |
| 3 | F9A30-67051 | Candela Right Roll Support SV | Right Roll Support on page 297 | |

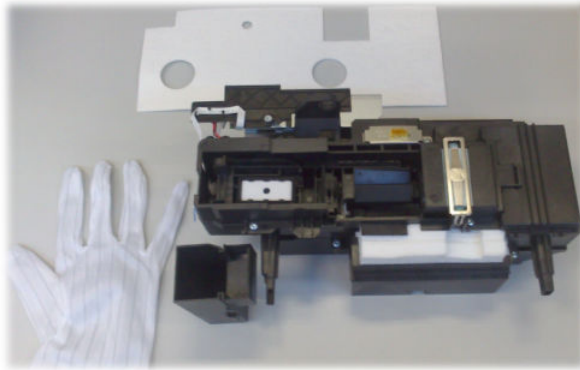


Right-hand assemblies

| | HP part number | Part description | Removal and installation reference | Comments |
|---|----------------|---|---|---|
| 1 | F9A30-67048 | Prime pump SV kit | Prime Pump on page 340 | |
| 2 | F9A30-67004 | Print Bundle PCA SV | Bundle Board on page 406 | SV kit includes FFC connecting Printer Bundle Board with Main PCA. |
| 3 | F9A30-67052 | Service Station Assembly (see real image below) | Service Station on page 334 | Includes the Service Station motor, encoder, spittoons, wipers, extra absorber pad (in case of need), extra left spittoon (in case of need), and gloves. The Left Spittoon is available also in a separate kit (see Left-hand assemblies on page 236). |

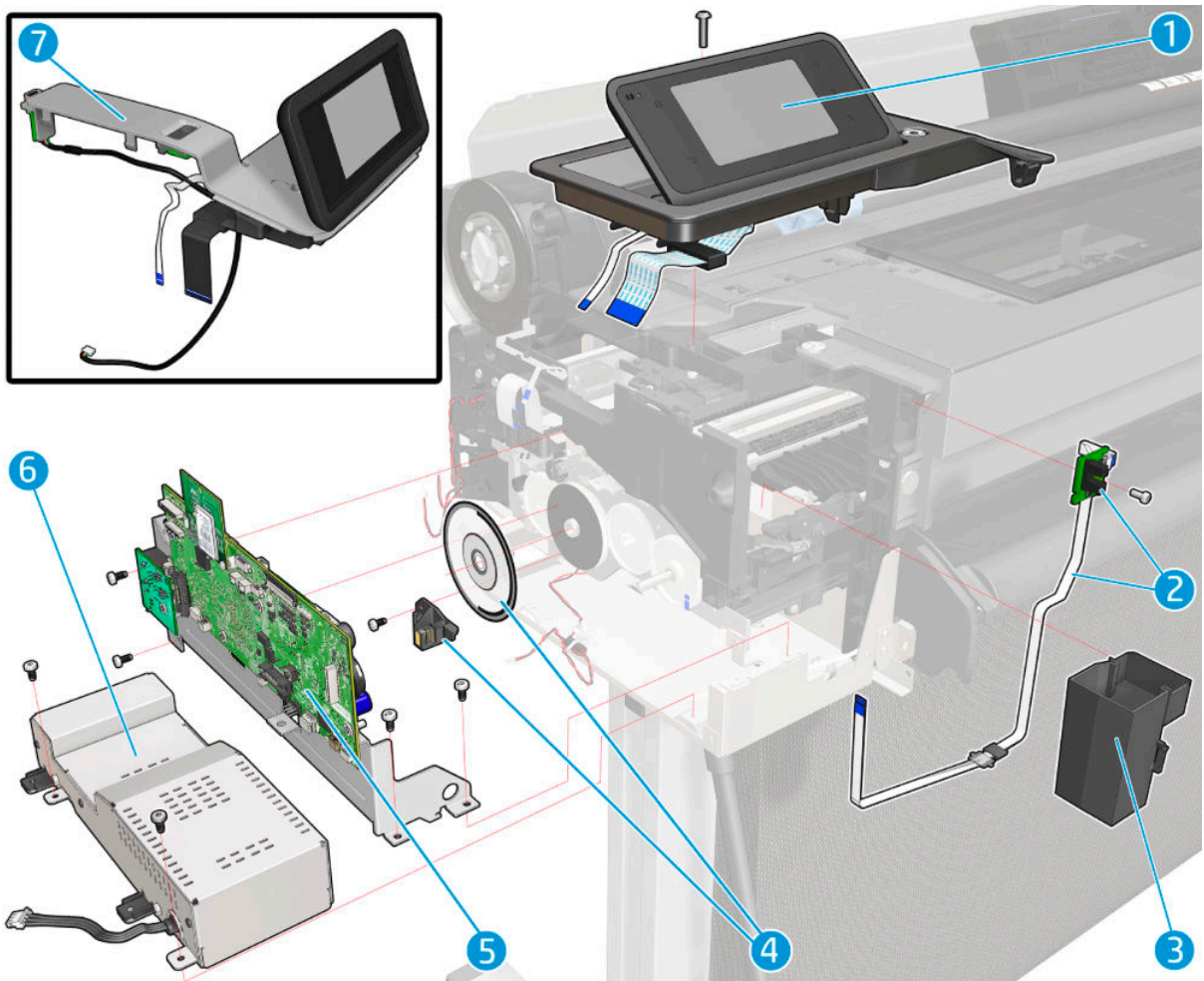


Service Station assembly F9A30-67052.



Left-hand assemblies

| | HP part number | Part description | Removal and installation reference | Comments |
|---|----------------|---------------------------------------|---|---|
| 1 | F9A29-67008 | Control Panel and support SFP (T730) | Front Panel SFP F9A29-67008 on page 278 | Includes plastic support with power button and cables |
| 2 | F9A30-67047 | NVM Backup PCA SV kit | | |
| 3 | CQ890-67044 | Left side spittoon SV | Left Spittoon on page 420 | Includes gloves. |
| 4 | CQ890-67033 | Encoder disk SV | Encoder Disk on page 323 | SV kit includes the brush. For sensor parts, see Sensor Kit on page 242 |
| 5 | F9A30-67001 | MAIN PCA SV | Main PCA on page 311 | |
| 6 | CQ890-67089 | 5V Power Supply SV | Power Supply on page 308 | |
| 7 | F9A30-67043 | Control Panel and left trim MF (T830) | Front Panel SFP F9A29-67008 on page 278 | Includes plastic support with power button and cables |

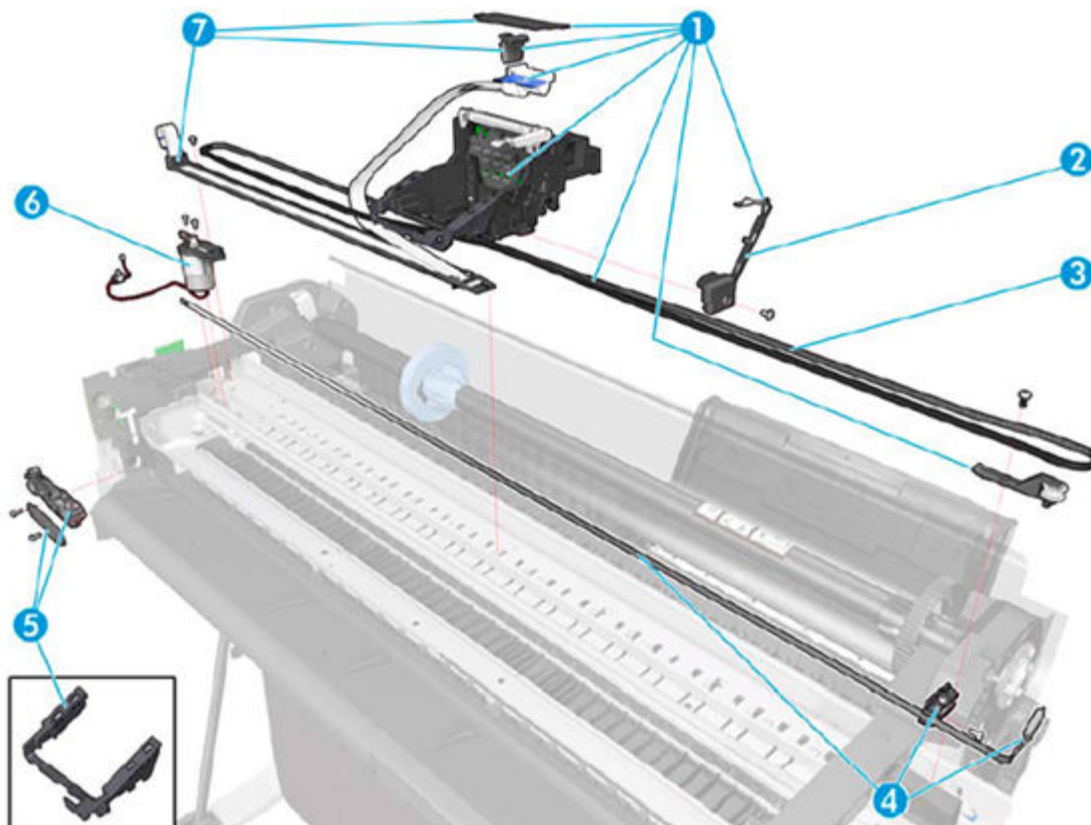


Encoder Disk SV kit, CQ890-67033



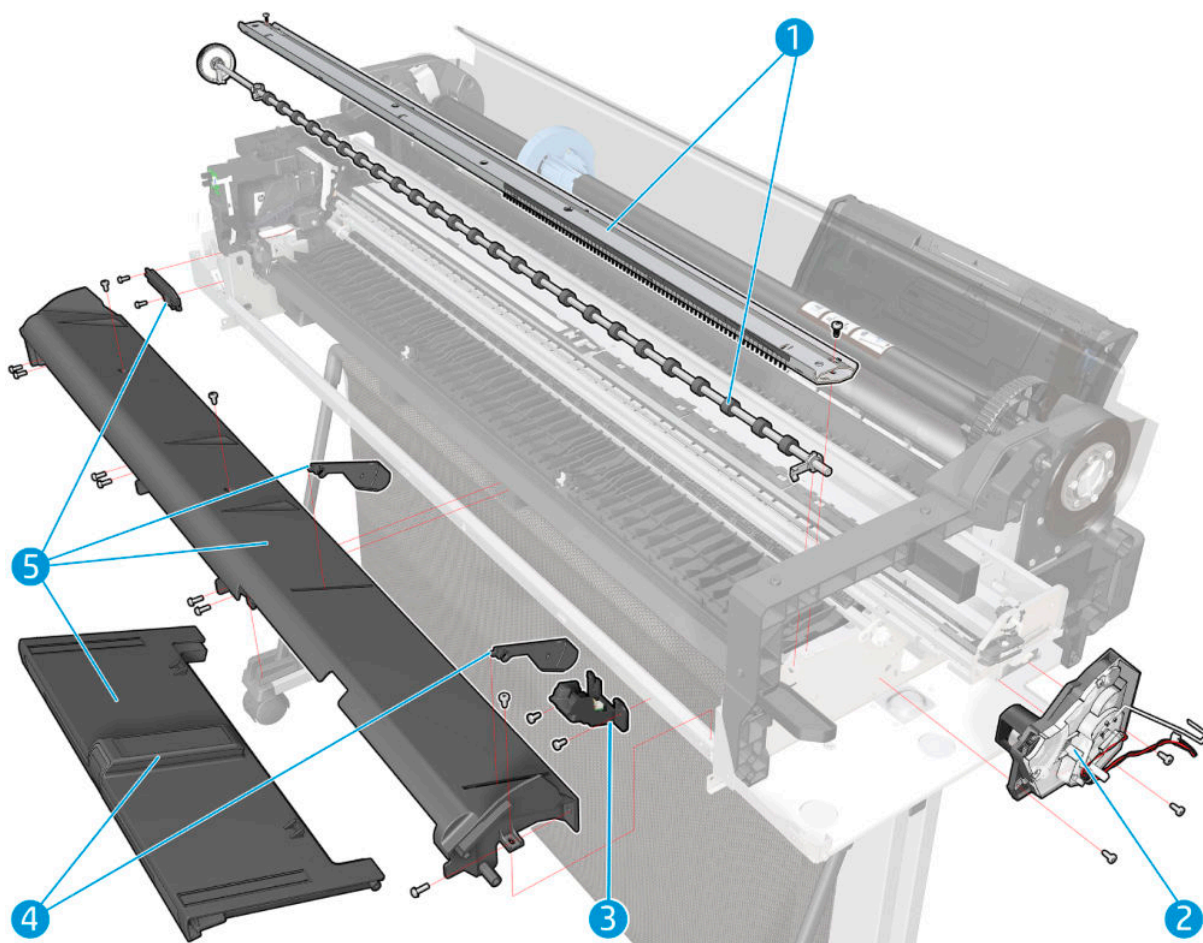
Carriage assembly

| | HP part number | Part description | Removal and installation reference | Comments |
|---|----------------|-----------------------------------|--|---|
| 1 | F9A30-67061 | Carriage Assembly | Carriage and Belt on page 344 | Includes carriage base, carriage PCA and cover, Carriage Line Sensor, extra Encoder Strip, instruction flier, and gloves |
| 2 | CQ890-67001 | Carriage Line Sensor (ZIM Sensor) | Carriage Line Sensor on page 402 | |
| 3 | CQ893-67016 | Belt (36) | Carriage Belt on page 351 | |
| 4 | CQ893-67029 | 36 Encoder strip SV | Encoder Strip on page 300 | Includes gloves |
| 5 | CQ890-67091 | Cutter Y margin new Extract Li | | It includes cutter, extraction lid, carriage bridge and screwdriver. There is also a Cutter CSR SV kit: "CQ890-67090 Cutter CSR SV kit" |
| 6 | F9A30-67063 | Carriage Motor | Carriage Motor on page 374 | |
| 7 | CQ893-67001 | 36 Trailing cable SV | Trailing Cable on page 326 | |



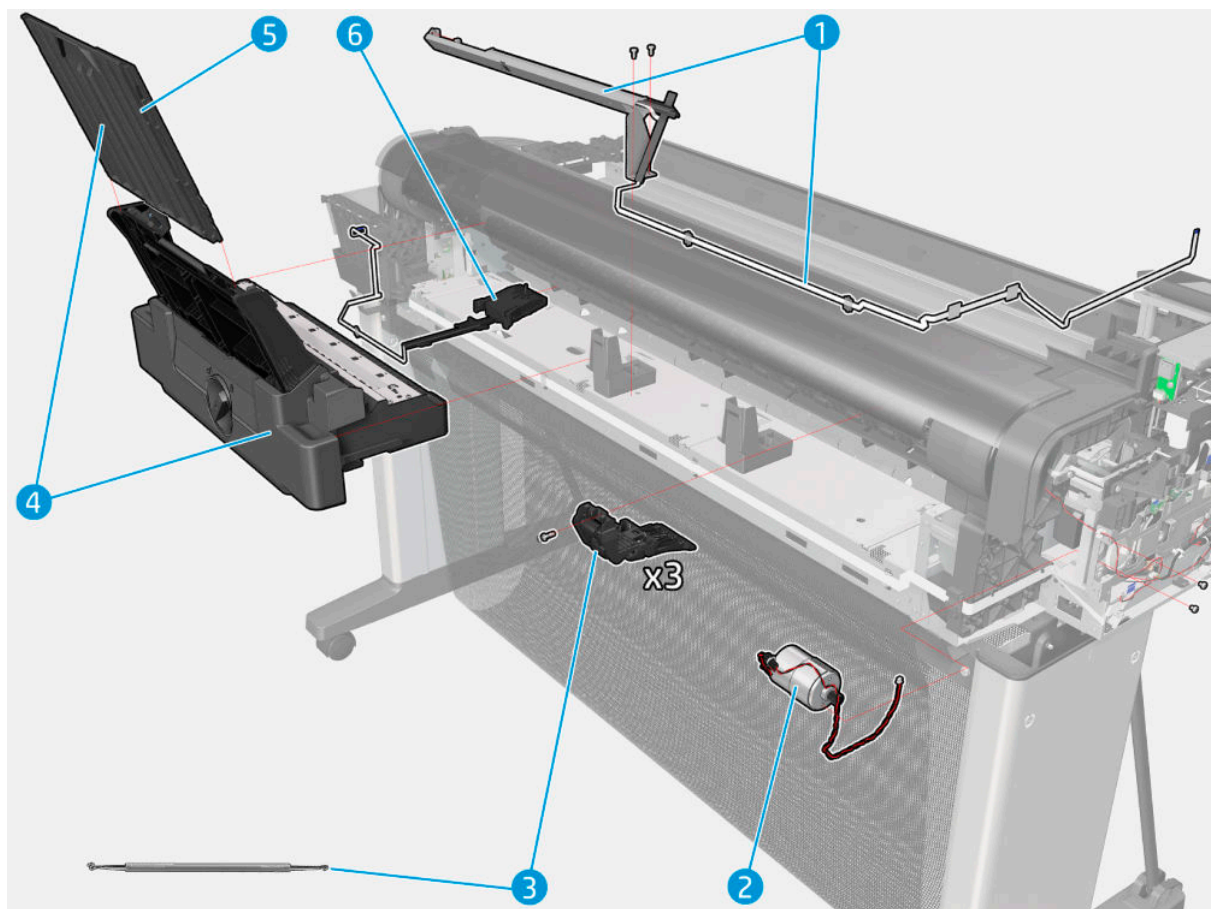
Paper path (front)

| | HP part number | Part description | Removal and installation reference | Comments |
|---|----------------|---------------------------|---|--|
| 1 | CQ893-67022 | 36 Starwheel Assy SV Rep | Starwheel Assembly on page 356 | Includes the Output Shaft and instruction flier |
| 2 | F9A30-67054 | Right Gear Train SV | Right Gear Train Module on page 353 | |
| 3 | CQ893-67018 | Output Tray Sensor SV | | CSR B (has no cable included); see Out-Of-Paper Sensor flier on page 572 |
| 4 | CQ890-67019 | Pro Extension/Output Tray | Output Tray on page 365 | CSR A |
| 5 | CQ893-67027 | Output Platen New Lid 36 | Output Platen on page 370 | The cutter rail is not a service part |



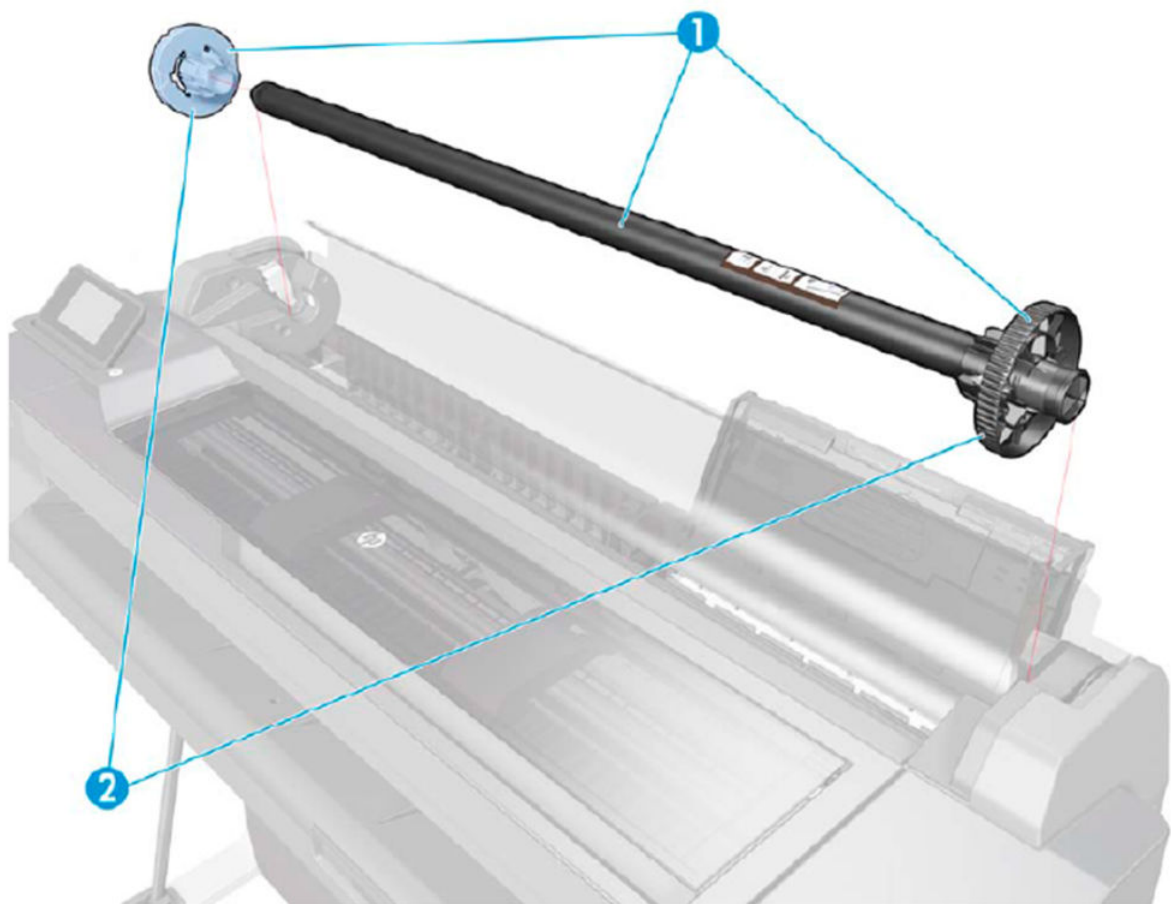
Paper path (rear)

| | HP part number | Part description | Removal and installation reference | Comments |
|---|----------------|----------------------------------|--|---|
| 1 | F9A30-67009 | Assembly Multi-sheet tray SV kit | Multi-Sheet Tray Sensor Assembly on page 385 | |
| 2 | F9A30-67049 | Paper Motor SV kit | Paper Motor on page 317 | |
| 3 | CQ890-67060 | Pinches Assembly SV | Pinchwheels on page 414 | Includes 3 pinchwheels, a tool to remove and mount them, and an instruction flier |
| 4 | CQ890-67007 | Accessory Tray SV | Multi-Sheet Tray Assembly on page 367 | CSR A |
| 5 | CQ890-67047 | Extension in the accessory | | CSR A; see Multi-Sheet Tray Extension flier on page 570 |
| 6 | F9A30-67053 | OOPS Sensor flag w/tap | Out-Of-Paper Sensor on page 388 | CSR B; see Out-Of-Paper Sensor flier on page 572 |



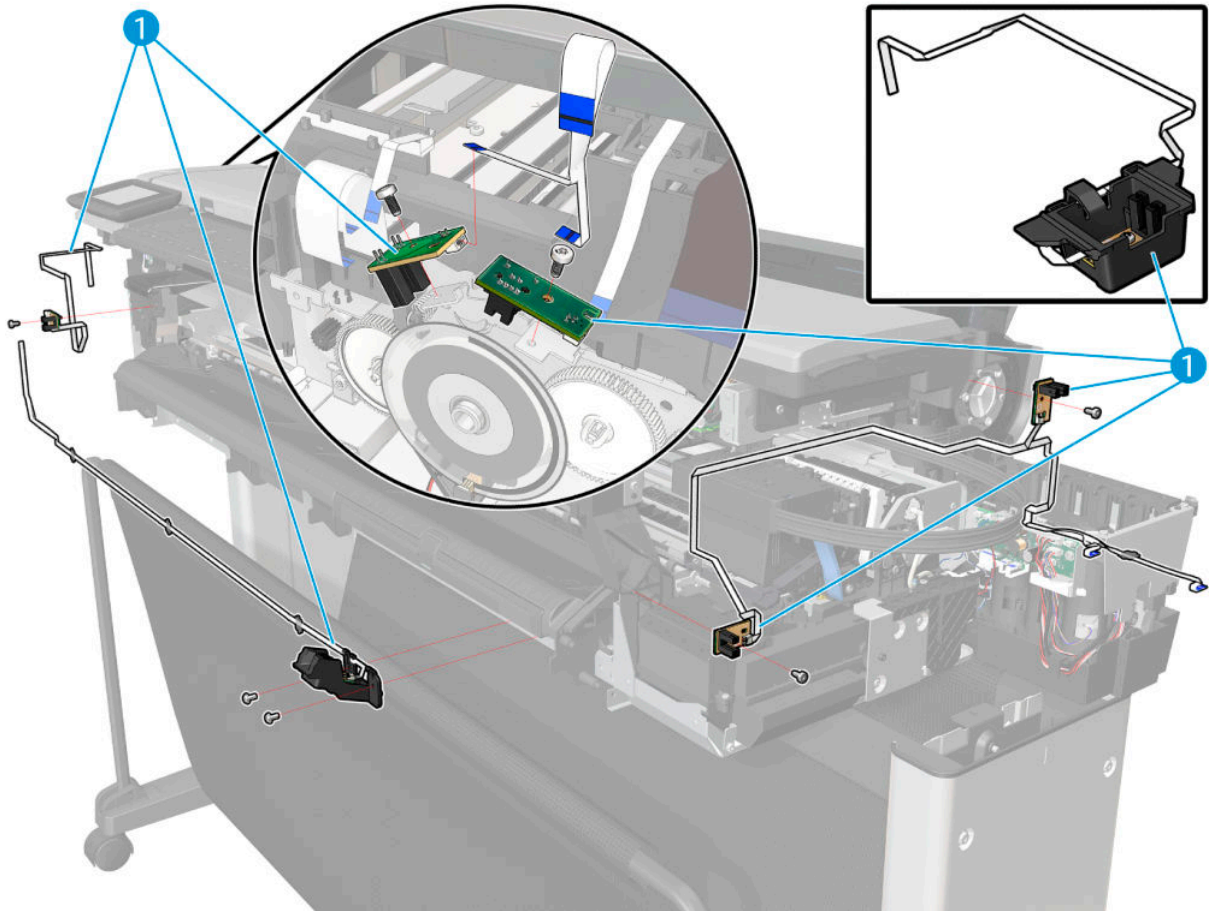
Spindle

| | HP part number | Part description | Removal and installation reference | Comments |
|---|----------------|----------------------|------------------------------------|--|
| 1 | CQ893-67008 | 36 Spindle module SV | | CSR A. It contains the spindle (with black hub) and the blue hub |
| 2 | CQ893-67009 | Spindle hubs SV | | CSR A. It contains the blue hub and the black hub |



Sensor Kit

| | HP part number | Part description | Removal and installation reference | Comments |
|---|----------------|-----------------------|---|----------|
| 1 | F9A30-67045 | Printer sensor kit SV | Printer Sensor Kit SV on page 473 | |



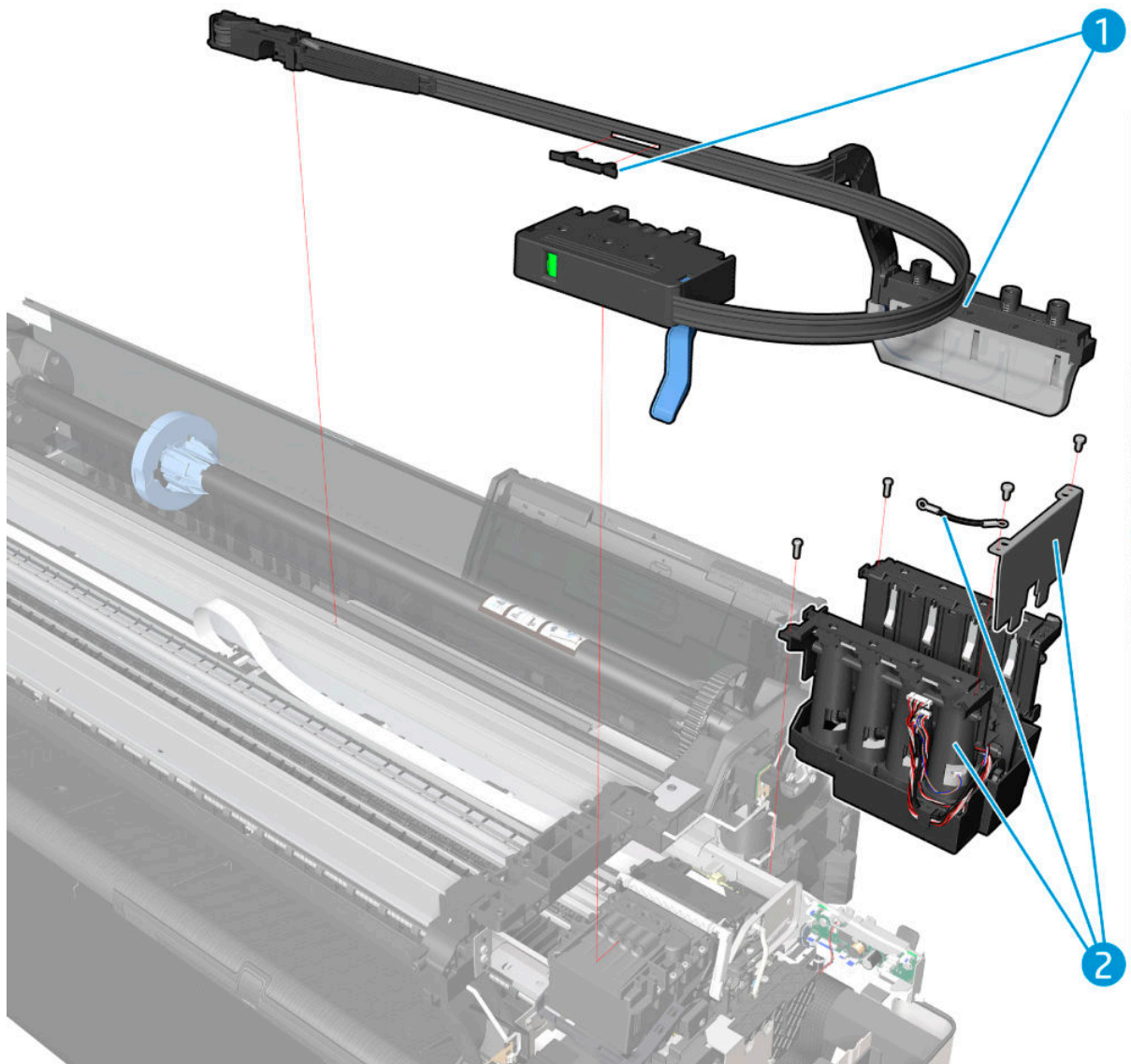
Cable Kit

| | HP part number | Part description | Removal and installation reference | Comments |
|---|----------------|-----------------------|------------------------------------|----------|
| 1 | F9A30-67046 | Printer Cables kit SV | | |

- FFC-Encoder-Rewinder
- FFC-Paper-Feed-Sensors
- FFC-OutputTraySensor
- FFC-Power-Button_MFP
- FFC-Service-Station Encoder
- USB Cable Front Panel to MPCA
- FFC_Out Of Paper Sensor
- FFC-PHAdoor_InkDoor
- FFC-Multisheet Tray sensor
- FFC-Printer Bundle Board to MPCA
- FFC-Front-Window MFP
- FFC-TopDoor SFP
- FFC-PowerButton-SFP
- FFC_Encoder_Pick motor
- FFC-NVM-Backup

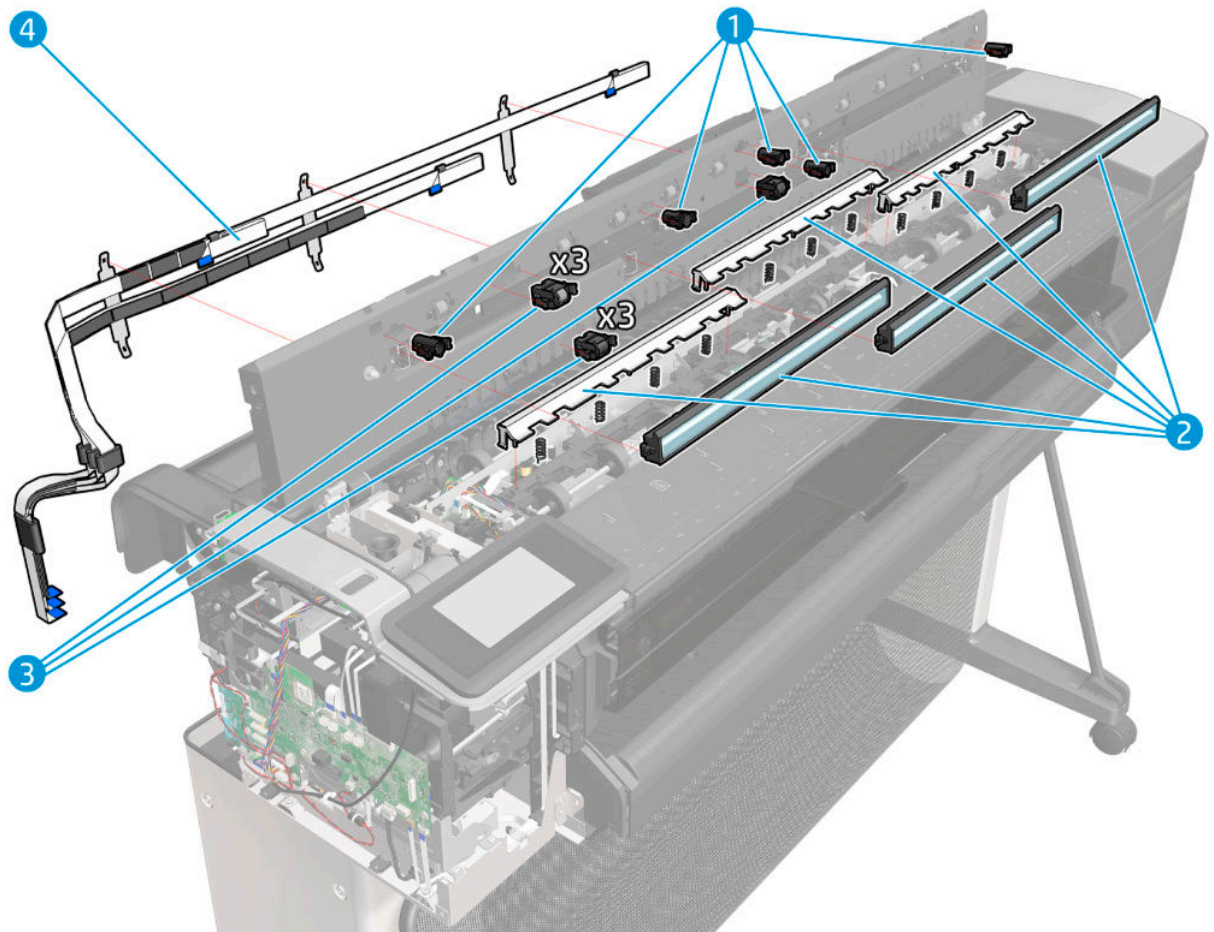
Ink tubes (RIDS) and Ink Supply Station (ISS)

| | HP part number | Part description | Removal and installation reference | Comments |
|---|----------------|------------------|--|---|
| 1 | F9A30-67007 | RIDS SV kit | RIDS (Ink Tubes) on page 494 | IMPORTANT: A new PHA is needed when the ink tubes are replaced. PHA is not included in the SV kit, needs to be ordered separately. |
| 2 | F9A30-67008 | ISS SV kit | ISS on page 499 | |



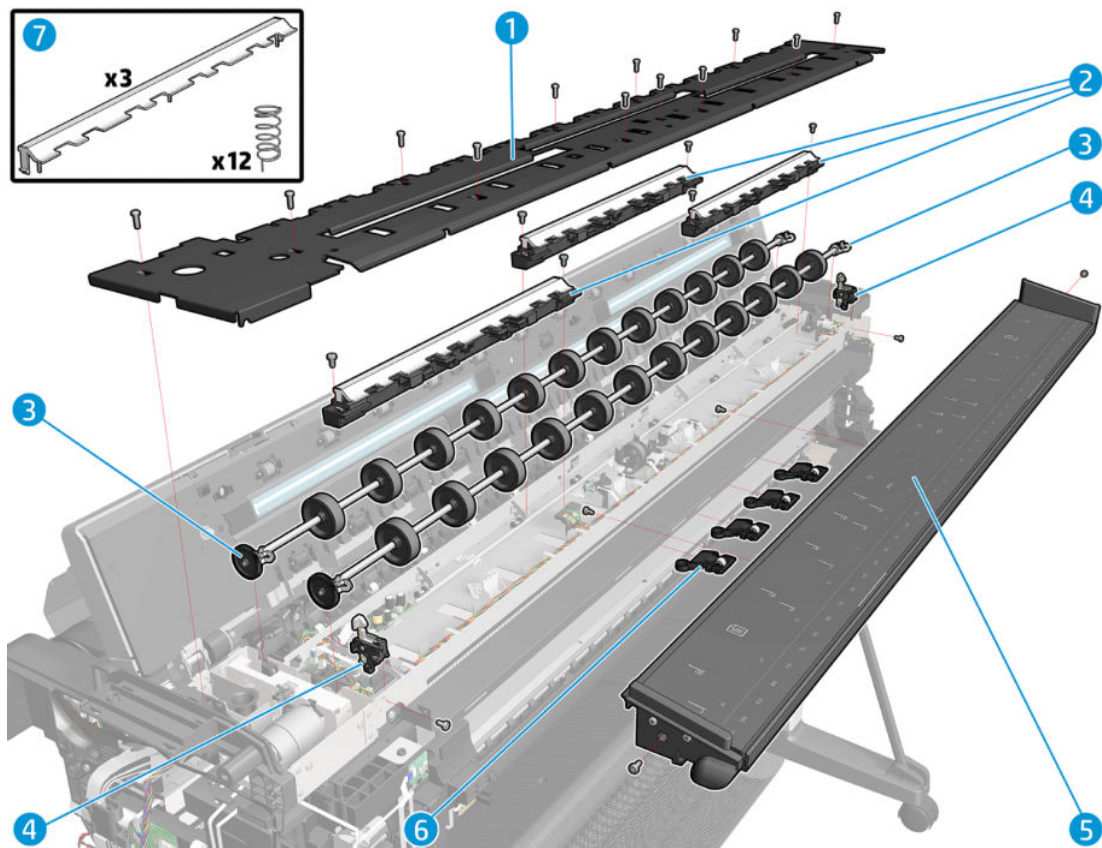
Scanner Lid

| | HP part number | Part description | Removal and installation reference | Comments |
|---|----------------|-------------------------------------|--|--|
| 1 | F9A30-67023 | Top lid Mirror magnet SV kit (T830) | Top Lid Mirror and Magnet (HP DesignJet T830 MFP only) on page 511 | It contains 4 mirrors and 1 magnet. All 4 mirrors are identical and interchangeable. |
| 2 | F9A30-67017 | Scanbars SV kit (T830) | Scanbars F9A30-67017 (HP DesignJet T830 MFP only) on page 425 | CSR A Kit contains 3 scanbars and 3 calibration surfaces |
| 3 | F9A30-67020 | Assembly Pinch SV kit (T830) | Pressure Rollers flier on page 586 | CSR A |
| 4 | F9A30-67018 | Scanbars SV kit (T830) | Scanbar FFC F9A30-67018 on page 466 | |



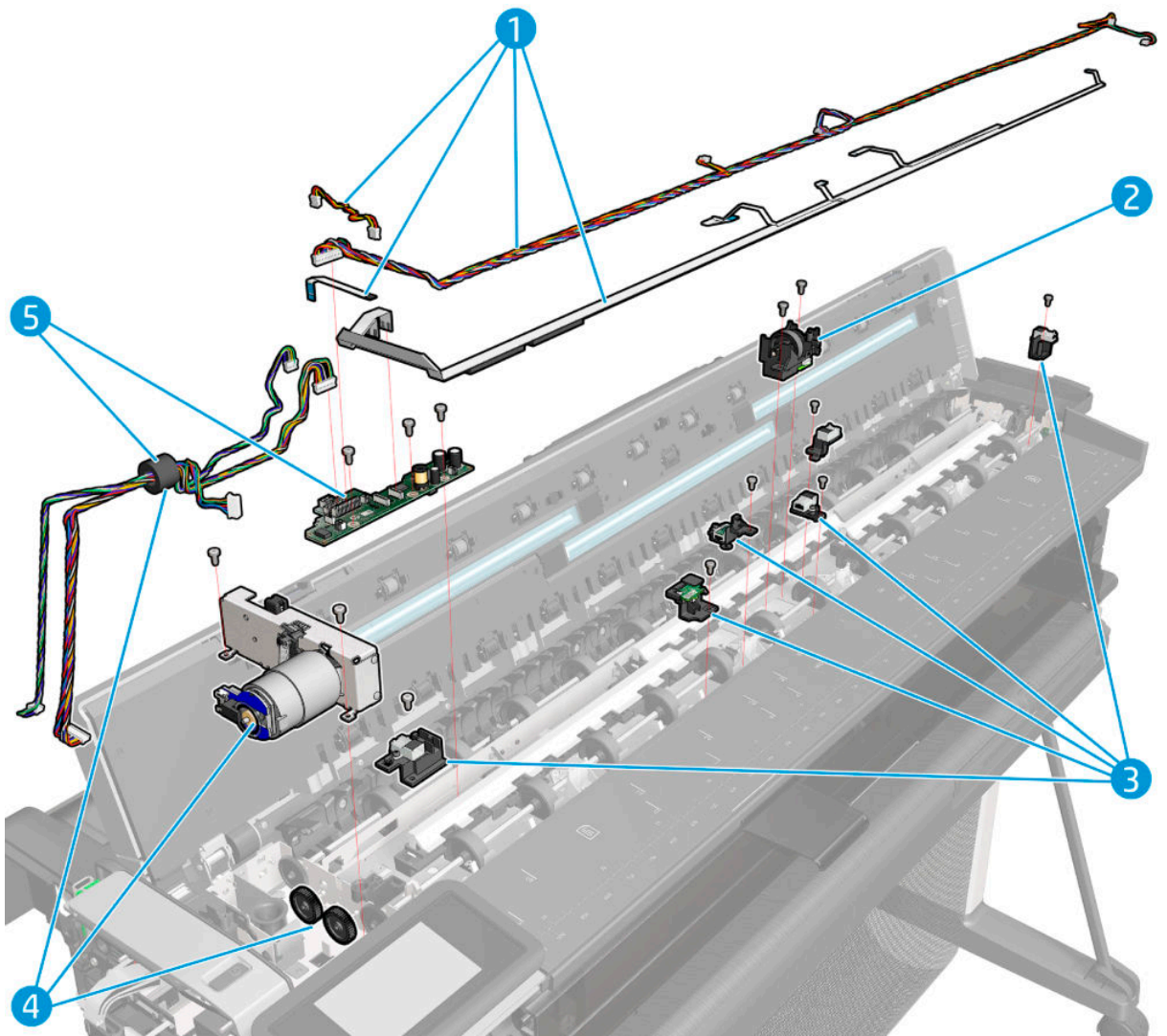
Scanner Bottom Mech

| | HP part number | Part description | Removal and installation reference | Comments |
|---|----------------|---|---|--|
| 1 | F9A30-67042 | Bottom platen SV (T830) | Bottom Platen F9A30-67042 on page 431 | |
| 2 | F9A30-67026 | Calibration slider SV kit (T830) | Calibration Slider on page 487 | There is a CSR SV kit for calibration surface only: "F9A30-67027 Calibration surface CSR SV kit" |
| 3 | F9A30-67025 | Scanner feed shaft SV kit (T830) | | SV kit contains only 1 feedshaft. |
| 4 | F9A30-67030 | Assembly Latch SV kit (T830) | | |
| 5 | F9A30-67039 | Input platen SV (T830) | Input platen SV F9A30-67039 (HP DesignJet T830 MFP only) on page 513 | Includes L shape Torx tool. |
| 6 | F9A30-67033 | Lower pinch assembly with mirror S (T830) | Lower Pinch Assembly with Mirror F9A30-67033 (HP DesignJet T830 MFP only) on page 492 | SV kits only contains 1 pinch assembly with mirror. |
| 7 | F9A30-67027 | Calibration surface CSR SV kit | Calibration Surface F9A30-67027 on page 484 | SV kit contains 3 calibration surfaces and 12 springs. |



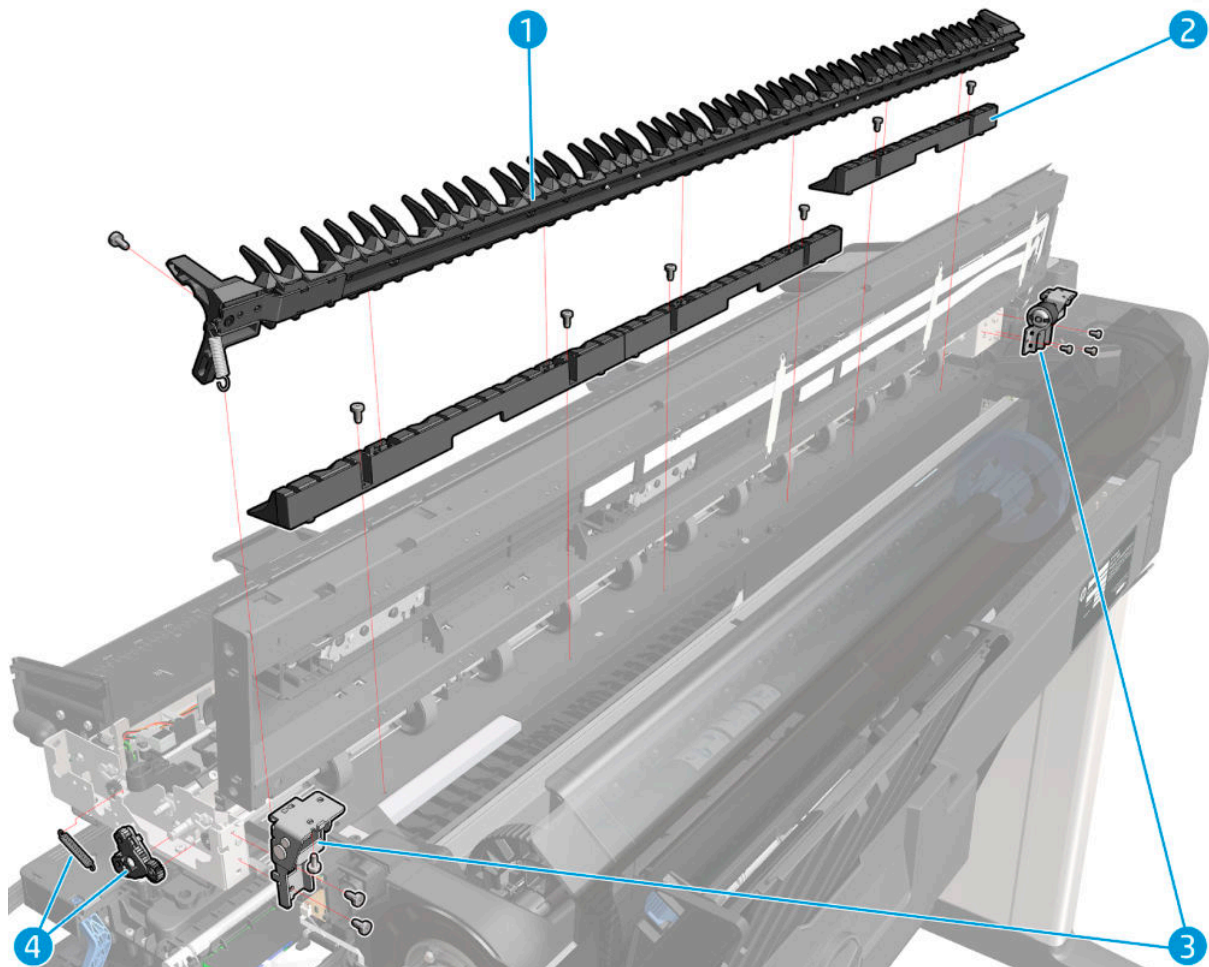
Scanner Bottom-EE

| | HP part number | Part description | Removal and installation reference | Comments |
|---|----------------|----------------------------------|--|----------|
| 1 | F9A30-67034 | Bottom Cables SV kit (T830) | Bottom Cables F9A30-67034 on page 448 | |
| 2 | F9A30-67038 | OPT wheel SV (T830) | OPT Wheel F9A30-60038 on page 453 | |
| 3 | F9A30-67031 | Optical sensor SV kit (T830) | Sensor SV Kit F9A30-67031 on page 454 | |
| 4 | F9A30-67024 | Scanner feed motor SV kit (T830) | Scanner Feed Motor F9A30-67024 on page 435 | |
| 5 | F9A30-67029 | Scan Bundle PCA SV kit (T830) | Scan Bundle Board F9A30-67029 on page 433 | |



Scanner Back

| | HP part number | Part description | Removal and installation reference | Comments |
|---|----------------|--|---|----------------------------------|
| 1 | F9A30-67040 | Diverter SV (T830) | Diverter SV F9A30-67040 on page 516 | |
| 2 | F9A30-67062 | Diverter Bottom Part SV (T830) | Diverter bottom part F9A30-67062 on page 520 | SV kit contains only 1 assembly. |
| 3 | F9A30-67019 | Assembly Hinges SV kit (T830) | Hinges F9A30-67019 (HP DesignJet T830 MFP only) on page 437 | |
| 4 | F9A30-67028 | Calibration Surface Gear Train SV kit (T830) | Calibration Surface Gear Train F9A30-67028 on page 489 | |



Miscellaneous parts

| HP part number | Part description | Comments |
|---------------------|---------------------------------------|--|
| CQ890-60244 | Friction repair Kit (lubrication kit) | Lubrication kit contains grease syringe for slider rod, aerosol shields and carriage bearings. |
| CQ890-67044 | Left side spittoon SV | |
| CQ891-60021 | Power Cord: EU SV KIT | CSR A |
| | | 8120-6314 EU, Denmark, South Africa, Switzerland |
| | | 8120-8699 UK & Middle East |
| CQ891-60022 | Power Cord: AMS SV KIT | CSR A |
| | | 8120-6313 US, Canada & Mexico |
| | | 8120-8367 Argentina |
| | | 8121-1081 Brazil |
| | | 8121-0514 Chile |
| CQ891-60023 | Power Cord: APJ SV KIT | CSR A |
| | | 8120-8699 Singapore, HK, MY |
| | | 8121-1168 India |
| | | 8121-0664 Thailand & Philippines |
| | | 8120-6316 Japan |
| | | 8120-8373 China |
| | | 8121-0963 Taiwan |
| | | 8120-8441 Korea |
| | | 8120-6314 Indonesia & Vietnam |
| 8121-0870 Australia | | |
| CQ894-67002 | 36 Upper roll media guide | See Upper-Roll Paper Guide on page 289 |
| F9A30-67055 | PM Kit (Preventive Maintenance kit) | It contains: Carriage Motor, Carriage assembly with Belt and Trailing Cable and Cutter assembly. |
| F9A30-67060 | Labels | CSR A Includes ink supply label, serial label, nameplates, and ink supply labels |
| F9J81A | Printhead Replacement Kit | CSR A |

